

$$CW = \frac{O \times H \times 4}{L}$$

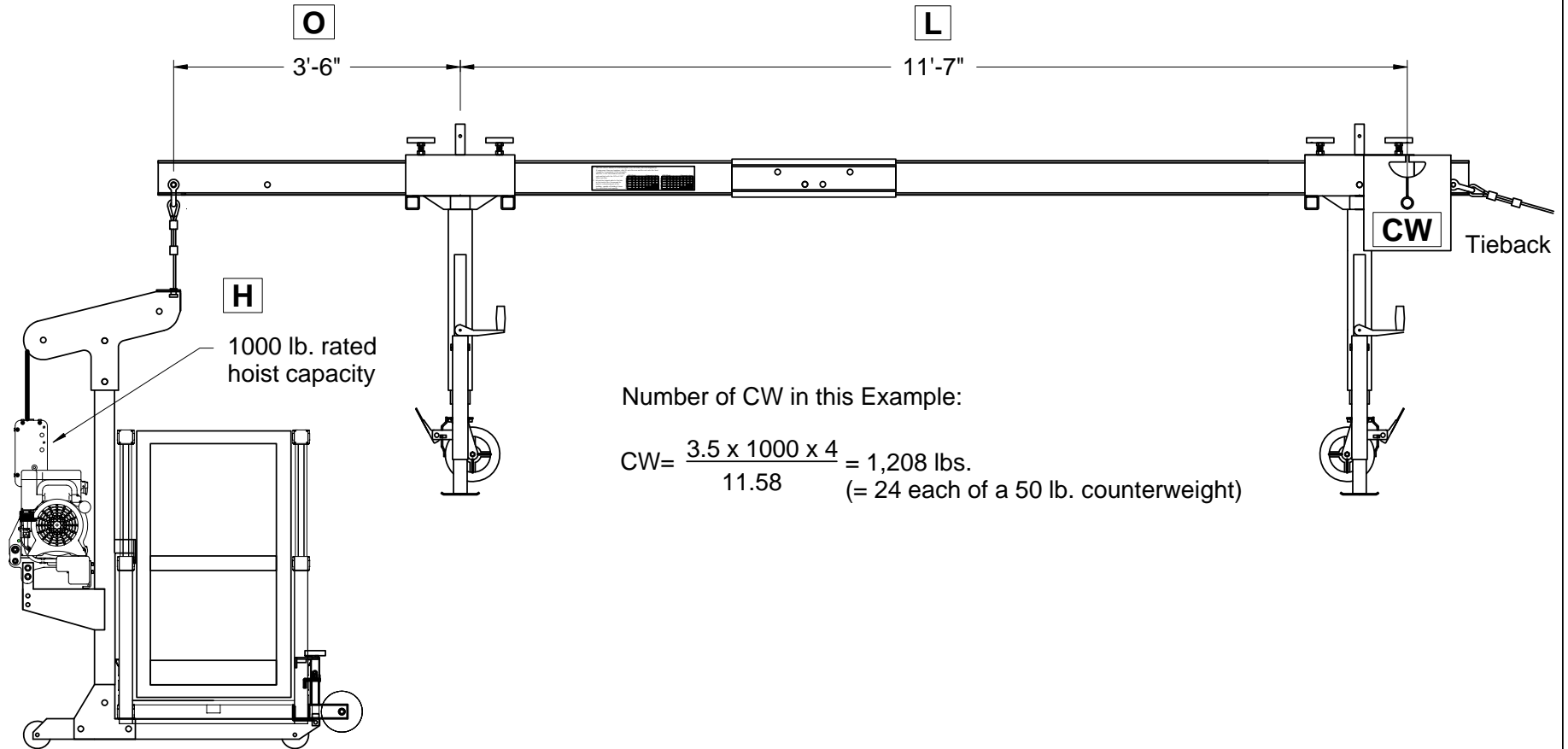
CW= Counterweights

O= Overhang in ft, measured from center of front support (fulcrum point) to suspension wire

H= Hoist rated lift capacity

L= Length of beam between fulcrum point and CENTER of counterweights

4= Safety factor



DESCRIPTION	Counterweight Formula	
PART NO.		DATE
SCALE	1/2" = 1'	REVISION NO.



Bee Access Products